

microFLICKER/AC

Instructions and Specifications

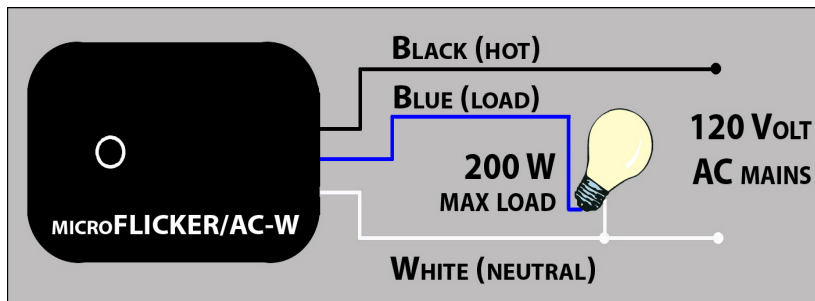
Congratulations on the purchase of your new microFLICKER/AC flicker generator. Operation of this device is quite simple, but please take a moment to look over the instructions and specifications.

All versions of our microFLICKER devices feature a unique single control to adjust intensity, rate and depth. As the control is rotated clockwise, the intensity of the bulb increases as do the rate and depth of the flicker effect.

Depending on which model you have chosen, you either connect your unit via standard polarized household AC (NEMA 1-15) connectors or it can be permanently wired into your prop or even used inside a light switch or light fixture box. Please consult the drawing below for connecting the wired version. Permanent installation should only be performed by qualified personnel or a licensed electrician. Always consult local codes.

SPECIFICATIONS

Input Voltage:	120 Volt AC, 50/60Hz
Maximum Output:	200 Watts
Compatible Lights:	Incandescent, halogen, dimmable LED
Dimming Method:	Phase cut
Technology:	Solid state, microprocessor controlled
Safety Features:	Internal fuse
Adjustment:	Single control adjusts intensity, speed and depth
Duty Cycle:	Designed for continuous use
Size:	2.75" long x 2.00" tall x 0.8" deep (1.12" including control)
Enclosure:	Black flame retardant ABS
Fire Rating:	UL94V-0
Warranty:	Three (3) year limited warranty



Note: Multiple lights may be connected to a single microFLICKER unit as long as the combined wattage does not exceed the 200-watt maximum rating.

When running this unit at or near its maximum capacity, the enclosure may get warm.

Please do not hesitate to contact Lights Alive if you have questions or need assistance.